

# Perfect ID UNI6006 NXP Ucode9

P-01008-Z4T8C2 - RFMO-210509-ETSI

## Overview

### Operating frequency

EU 865-868 MHz

### Air interface protocol

EPC Class 1 Gen 2 ISO 18000-63

### IC

NXP UCode9

### Industry Segments

Logistics; IT Services; Manufacturing

### Applications

Supply Chain Management; Inventory and Logistics; Asset Management

### RoHS

EU Directive 2011/65/EC and Directive (EU) 2015/863

### REACH

Regulation (EC) No 1907/2006



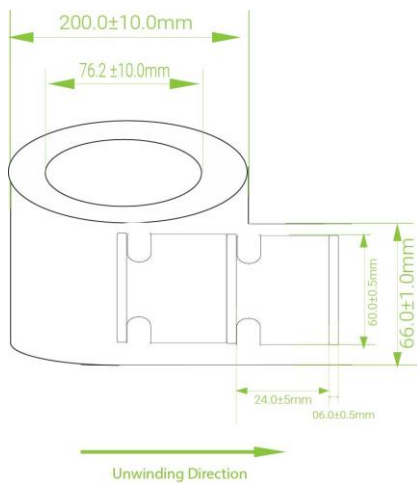
## UNI6006 Mount-on-Metal Label EU U9

UNI6006 tag is a flexible label that can be attached to metallic assets. Its flexible design makes it ideal for irregular and uneven surfaces. The product can be printed and encoded with industrial RFID printers.

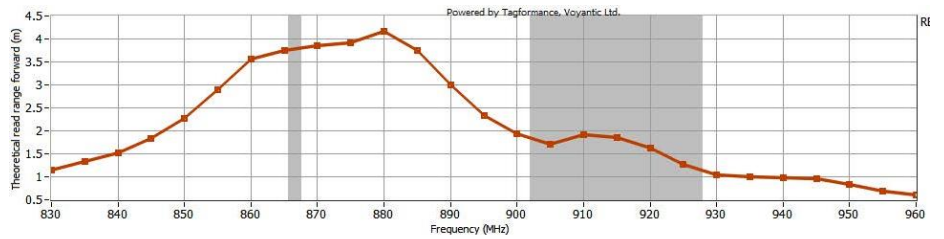
## Technical features

<b>IC</b>	NXP Ucode9
<b>EPC and User Memory</b>	96bit EPC Memory, 0bit User Memory
<b>TID Memory</b>	96bit serialised TID, 48bit unique serial number
<b>Product Type</b>	Mount on Metal
<b>Die Cut Dimensions</b>	6 x 60 mm
<b>Face Sheet</b>	Synthetic Polyester
<b>Pitch</b>	24.000
<b>Web Width</b>	66.000
<b>Label Orientation</b>	WEL
<b>Adhesive</b>	Acrylic
<b>Core Size</b>	76.20 mm
<b>Quantity / Reel</b>	500
<b>Reel outer diameter</b>	Max. 200.00 mm
<b>Service Temperature</b>	-20°C to +80°C

## Technical Drawing



## Read range



## Contact information

[rfid.supplies/shop](https://rfid.supplies/shop)

[sales@rfid.supplies](mailto:sales@rfid.supplies)

+44 20 203 8080 2050



© 2023 syo.io and rfid.supplies. All graphs are indicative: performance in real life applications may vary. Third party trademarks and/or trade names used herein are the property of their respective owner(s). Some of the trademarks appear for identification purposes only.

Warranty: Please refer to rfid.supplies standard terms and conditions: [https://rfid.supplies/gtc\\_of\\_sale](https://rfid.supplies/gtc_of_sale)

Care and handling: RFID inlays are sensitive to ESD. Observe standard industry practices relating to electronics and RFID to keep environmental impact and static charge to a minimum.

Applications: This product should be tested by the customer / user thoroughly under end use conditions to ensure the product meets the requirements. rfid.supplies does not represent that this product is fit for any particular purpose or use. rfid.supplies reserves the right to modify, change, supplement or discontinue product offerings at any time without notice. The information contained herein is believed to be reliable, but rfid.supplies makes no representation concerning the accuracy or correctness of the data