

Perfect ID UNI6006 NXP Ucode8

P-01006-F0H8B0 - RFMO-210709-ETSI

Overview

Operating frequency

EU 865-868 MHz

Air interface protocol

EPC Class 1 Gen 2 ISO 18000-63

IC

NXP UCode8

Industry Segments

Logistics; IT Services; Manufacturing

Applications

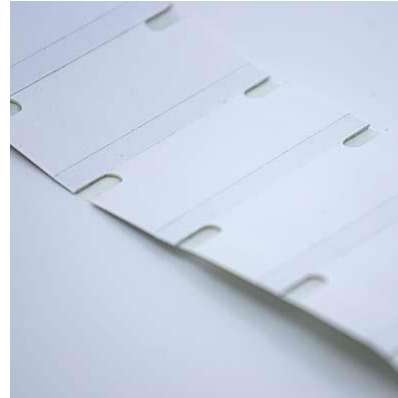
Supply Chain Management; Inventory and Logistics; Asset Management

RoHS

EU Directive 2011/65/EC and Directive (EU) 2015/863

REACH

Regulation (EC) No 1907/2006



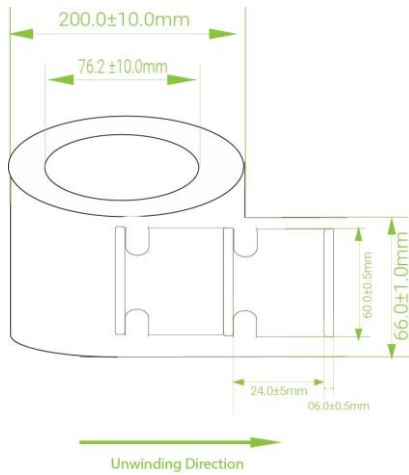
UNI6006 Mount-on-Metal Label EU U8

UNI6006 tag is a flexible label that can be attached to metallic assets. Its flexible design makes it ideal for irregular and uneven surfaces. The product can be printed and encoded with industrial RFID printers.

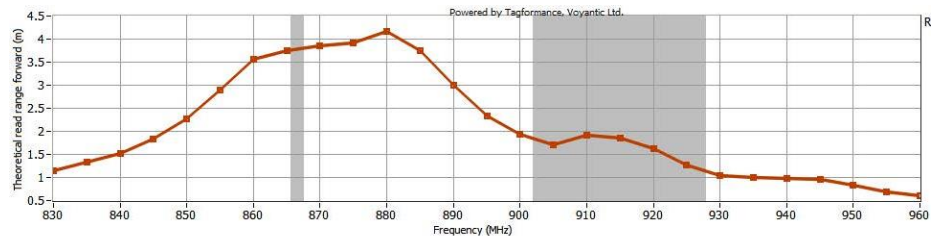
Technical features

IC	NXP Ucode8
EPC and User Memory	128bit EPC Memory, 0bit User Memory
TID Memory	96bit serialised TID, 48bit unique serial number
Product Type	Mount on Metal
Die Cut Dimensions	6 x 60 mm
Face Sheet	Synthetic Polyester
Pitch	24.000
Web Width	66.000
Label Orientation	WEL
Adhesive	Acrylic
Core Size	76.20 mm
Quantity / Reel	500
Reel outer diameter	Max. 200.00 mm
Service Temperature	-20°C to +80°C

Technical Drawing



Read range



Contact information

rfid.supplies/shop

sales@rfid.supplies

+44 20 203 8080 2050



© 2023 syo.io and rfid.supplies. All graphs are indicative: performance in real life applications may vary. Third party trademarks and/or trade names used herein are the property of their respective owner(s). Some of the trademarks appear for identification purposes only.

Warranty: Please refer to rfid.supplies standard terms and conditions: https://rfid.supplies/gtc_of_sale

Care and handling: RFID inlays are sensitive to ESD. Observe standard industry practices relating to electronics and RFID to keep environmental impact and static charge to a minimum.

Applications: This product should be tested by the customer / user thoroughly under end use conditions to ensure the product meets the requirements. rfid.supplies does not represent that this product is fit for any particular purpose or use. rfid.supplies reserves the right to modify, change, supplement or discontinue product offerings at any time without notice. The information contained herein is believed to be reliable, but rfid.supplies makes no representation concerning the accuracy or correctness of the data